

Forged Steel Valve



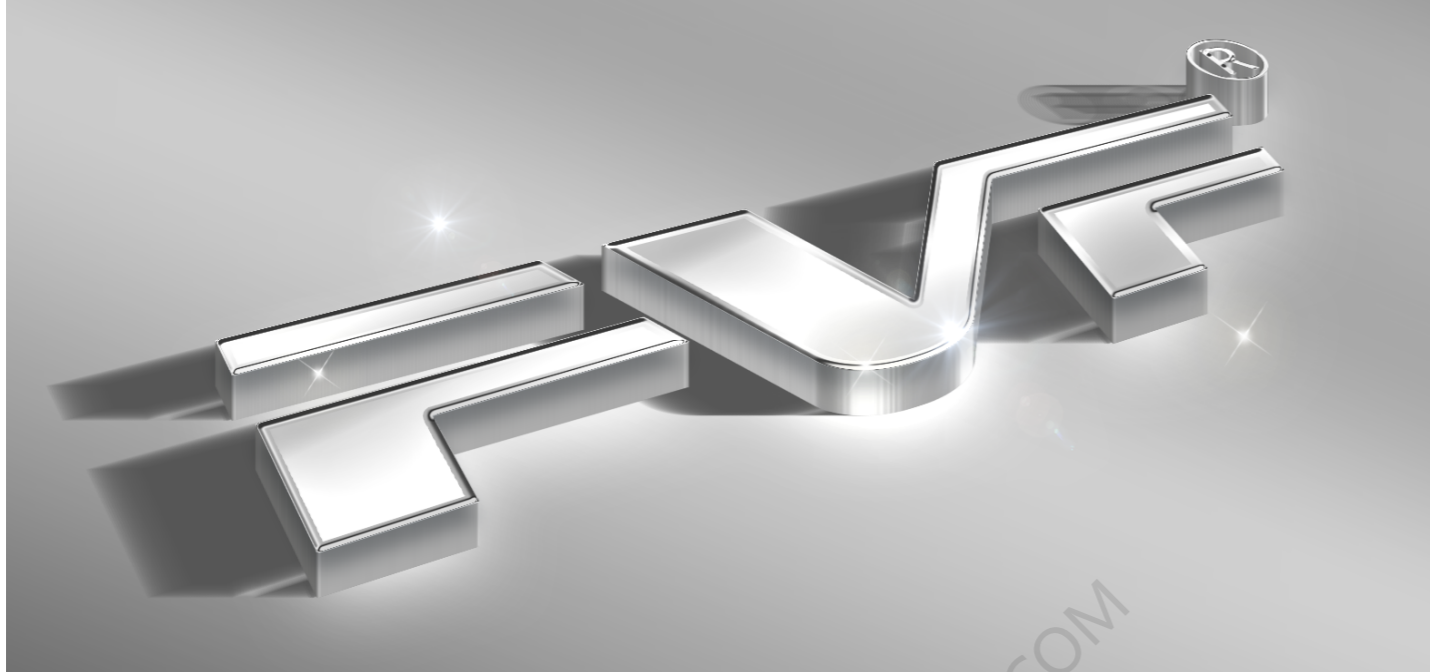
Address: Binhai ETDZ, 5 Road, Longwan, Wenzhou, China. 325000
Tel: +86 577 8663 2750
Fax: +86 577 8663 2850

Mob./WhatsApp: +86 173 5771 5577
www.flowvalvefitting.com
Info@flowvalvefitting.com



WhatsApp Code

FVF BRAND, RELIABLE QUALITY FOR YOU
CE&ISO 9001:2015 CERTIFIED ACQUIRED
15 YEARS FLUID SOLUTION EXPERIENCES
EXPORTING TO OVER 40 COUNTRIES
EXCELLENT VALUE-ADDED SERVICE.



We focus on Details
We Make Different
FVF Brand, that can be trust.

FVF Brand Found in year 2010, we specialize in Manufacturing Various Lined Valves, Multi-Port Ball Valve, Control Valves and Pipe Fittings.

The products are mainly widely used in modern anti-corrosion engineering fields such as Lithium Battery, petroleum, chemical industry, pharmacy, printing and dyeing, electrical engineering, ship building, metallurgy, military industry, semiconductor chemistry, electronic phosphoric acid, etc.

Through the years, "Perfection" has been the only goal we pursue. In order to satisfy customers, with continuous efforts, we are working towards perfection through a Quality Assurance System. With over ten years Exporting Experiences, we have the confident to give you best support from pre-sales to after-sales Service.

FVF Product Line:

Lined Valves (Lined Butterfly Valve, Lined Ball Valve, Lined Diaphragm Valve etc.)

Ceramaic Valves (Ceramaic Ball Valve, Ceramaic Gate Valve, Ceramaic Butterfly Valve etc.)

Pneumatic Valves (Pneumatic Butterfly Valve, Ball Valve etc.)

Electric Valves (Electric Butterfly Valve, Ball Valve etc.)

Multi-Port Ball Valve (3-Way Ball Valve, 4-Way Ball Valve, 5-Way Ball Valve)

Manual Valve (Check Valve, Gate Valve, Globe Valve etc.)

Pipe Fittings (150LBS Thread Pipe Fittings, Butt-Weld Fittings, 3000PSI Pipe Fittings)

Stainless Steel Flanges

FVF[®]
FVF TECHNOLOGY CO., LIMITED



Forged Steel Gate Valve

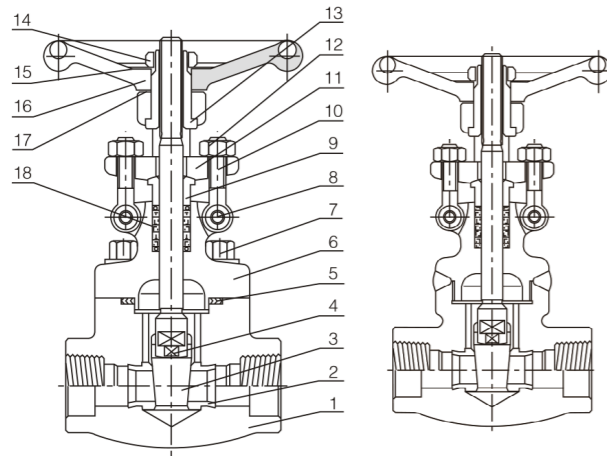
Our Core Values: Team, Details, Altruism, Innovation and Embrace Change.

Forged Steel Gate Valve

FVF TECHNOLOGY CO., LIMITED



Female threaded and welded gate valve



Application standards

- Design and manufacture conform to API 602, BS 5352, ASME B16.34
- Connection ends conform to:
 - Socket welded ends conform to ANSI B16.11, JB/T1751
 - Screw ends conform to ANSI B1.20.1, JB/T7306
 - Butt-welded ends conform to ANSI B16.25, JB/T12224
 - Flange ends conform to ANSI B16.5, JB79
- Test and inspection conform to: API 598, GB/T13927, JB/T9092
- Structure features:
 - Bolted bonnet, outside screw and yoke
 - Welded bonnet, outside screw and yoke
- Materials conform to ANSI/ASTM
- Main materials: A105, LF2, F5, F11, F22, F304(L), F316(L), F347, F321, F51, Monel, Alloy 20# etc.

Carbon steel temperature-pressure rate

CL150-285PS.I @100 °F CL300-740PS.I @100 °F CL600-1480PS.I @100 °F CL800-1975PS.I @100 °F CL1500-3705PS.I @100 °F

Material List of Main Parts

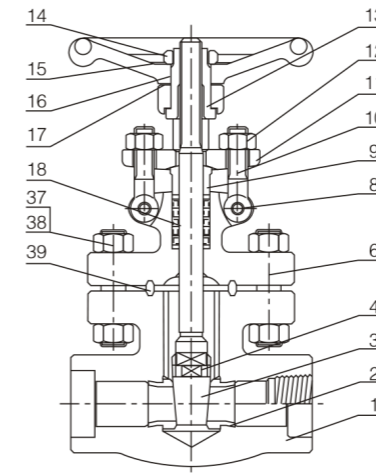
NO.	Part name	A105/F6a	A105/F6aHFS	LF2/304	F11/F6aHF	F304(L)/304(L)	F316(L)/316(L)	F51/F51
1	Body	A105	A105	LF2	F11	F304(L)	F316(L)	F51
2	Seat	410	410HF	304	410HF	304(L)	316(L)	F51
3	Wedge	F6a	F6a	F304	F6aHF	F304(L)	F316(L)	F51
4	Stem	410	410	304	410	304(L)	316(L)	F51
5	Gasket	304 + Flexible graphite	304 + Flexible graphite	304 + Flexible graphite	304 + Flexible graphite	304 + Flexible graphite	304 + Flexible graphite	304 + Flexible graphite
6	Bonnet	A105	A105	LF2	F11	F304(L)	F316(L)	F51
7	Bolt	B7	B7	F7	B16	B8(M)	B8(M)	B8(M)
8	Pin	410	410	410	410	304	304	304
9	Gland	410	410	304	410	304	316	F51
10	Gland eyebolt	B7	B7	L7	B16	B8(M)	B8(M)	B8(M)
11	Gland flange	A105	A105	LF2	F11	F304	F304	F304
12	Hex nut	2H	2H	2H	2H	8(M)	8(M)	8(M)
13	stem nut	410	410	410	410	410	410	410
14	Locking nut	35	35	35	35	35	35	35
15	Nameplate	AL	AL	AL	AL	AL	AL	AL
16	Handwheel	A197	A197	A197	A1 97	A197	A197	A197
17	Lubricating gasket	410	410	410	410	410	410	410
18	Packing	Graphite	Graphite	Graphite	Graphite	Graphite	Graphite	Graphite

Forged Steel Gate Valve

FVF TECHNOLOGY CO., LIMITED



Female threaded and welded gate valve



Application standards

- Design and manufacture conform to API 602, BS 5352, ASME B16.34
- Connection ends conform to:
 - Socket welded ends conform to ANSI B16.11, JB/T1751
 - Screw ends conform to ANSI B1.20.1, JB/T7306
 - Butt-welded ends conform to ANSI B16.25, JB/T12224
 - Flange ends conform to ANSI B16.5, JB79
- Test and inspection conform to: API 598, GB/T13927, JB/T9092
- Structure features:
 - Bolted bonnet, outside screw and yoke
 - Welded bonnet, outside screw and yoke
- Materials conform to ANSI/ASTM
- Main materials: A105, LF2, F5, F11, F22, F304(L), F316(L), F347, F321, F51, Monel, Alloy 20# etc.

Carbon steel temperature-pressure rate

CL150-285PS.I @100 °F CL300-740PS.I @100 °F CL600-1480PS.I @100 °F CL800-1975PS.I @100 °F CL1500-3705PS.I @100 °F

Material List of Main Parts

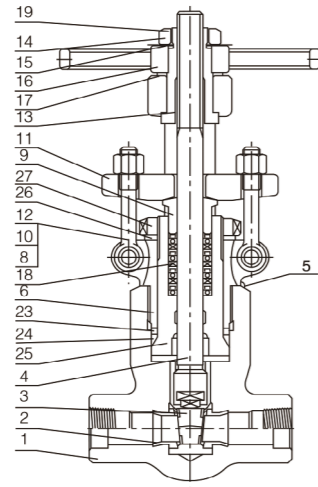
NO.	Part name	A105/F6a	A105/F6aHFS	LF2/304	F11/F6aHF	F304(L)/304(L)	F316(L)/316(L)	F51/F51
1	Body	A105	A105	LF2	F11	F304(L)	F316(L)	F51
2	Seat	410	410HF	304	410HF	304(L)	316(L)	F51
3	Wedge	F6a	F6a	F304	F6aHF	F304(L)	F316(L)	F51
4	Stem	410	410	304	410	304(L)	316(L)	F51
6	Bonnet	A105	A105	LF2	F11	F304(L)	F316(L)	F51
8	Pin	410	410	410	410	304	304	304
9	Gland	410	410	304	410	304	316	F51
10	Gland eyebolt	B7	B7	L7	B16	B8(M)	B8(M)	B8(M)
11	Gland flange	A105	A105	LF2	F11	F304	F304	F304
12	Hex nut	2H	2H	2H	2H	8(M)	8(M)	8(M)
13	stem nut	410	410	410	410	410	410	410
14	Locking nut	35	35	35	35	35	35	35
15	Nameplate	AL	AL	AL	AL	AL	AL	AL
16	Handwheel	A197	A197	A197	A1 97	A197	A197	A197
17	Lubricating gasket	410	410	410	410	410	410	410
18	Packing	Graphite	Graphite	Graphite	Graphite	Graphite	Graphite	Graphite
37	Screwed stud	B7	B7	L7	L7	B8(M)	B8(M)	B8(M)
38	Nut	2H	2H	8	8	8(M)	8(M)	8(M)
39	Metal ring	304	304	304	304	304(L)	316(L)	F51

Forged Steel Gate Valve

FVF TECHNOLOGY CO., LIMITED



Pressure seal gate valve



Application standards

- Design and manufacture conform to API 602, BS 5352, ASME B16.34
- Connection ends conform to:
 - Socket welded ends conform to ANSI B16.11, JB/T1751
 - Screw ends conform to ANSI B1.20.1, JB/T7306
 - Butt-welded ends conform to ANSI B16.25, JB/T12224
 - Flange ends conform to ANSI B16.5, JB79
- Test and inspection conform to: API 598, GB/T13927, JB/T9092
- Structure features:
Threaded and pressure seal bonnet
- Materials conform to ANSI/ASTM
- Main materials:
A105, LF2, F5, F11, F22, F304(L), F316(L), F347, F321, F51, Monel, Alloy 20# etc.

Carbon steel temperature-pressure rate

CL1500-3705PS.I @100 °F CL2500-6170PS.I @100 °F

Material List of Main Parts

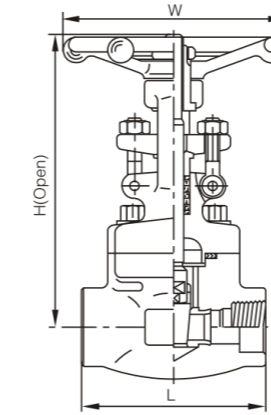
NO.	Part name	A105/F6a	A105/F6aHFS	LF2/304	F11/F6aHF	F304(L)/304(L)	F316(L)/316(L)	F91/410HF
1	Body	A105	A105	LF2	F11	F304(L)	F316(L)	F51
2	Seat	410	410HF	304	410HF	304(L)	316(L)	F51
3	Wedge	F6a	F6a	F304	F6aHF	F304(L)	F316(L)	F51
4	Stem	410	410	304	410	304(L)	316(L)	F51
6	Bonnet	A105	A105	LF2	F11	F304(L)	F316(L)	F51
8	Pin	410	410	410	410	304	304	304
9	Gland	410	410	304	410	304	316	F51
10	Gland eyebolt	B7	B7	L7	B16	B8(M)	B8(M)	B8(M)
11	Gland flange	A105	A105	LF2	F11	F304	F304	F304
12	Hex nut	2H	2H	2H	2H	8(M)	8(M)	8(M)
13	stem nut	410	410	410	410	410	410	410
14	Locking nut	35	35	35	35	35	35	35
15	Nameplate	AL	AL	AL	AL	AL	AL	AL
16	Handwheel	A197	A197	A197	A1 97	A197	A197	A197
17	Lubricating gasket	410	410	410	410	410	410	410
18	Packing	Graphite	Graphite	Graphite	Graphite	Graphite	Graphite	Graphite
23	Seal gasket	420	420	304	304	304(L)	316(L)	420
24	P.S.ring	304	304	304	304	304	316	316
25	P.S.seat	420	420	304	304	304(L)	16(L)	F91
26	Nut pad	410	410	410	410	410	410	410
27	Packing nut	Cast steel	Cast steel	Cast steel	Cast steel	Stainless steel	Stainless steel	Cast steel

Forged Steel Gate Valve

FVF TECHNOLOGY CO., LIMITED



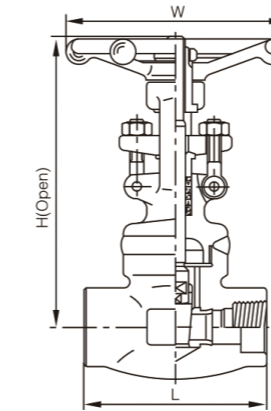
Female threaded and welded gate valve



CL800

Bolted bonnet, full port & reduced port, outside screw and yoke(OS & Y)
Threaded, butt-welded or socket welded ends, design to API 602

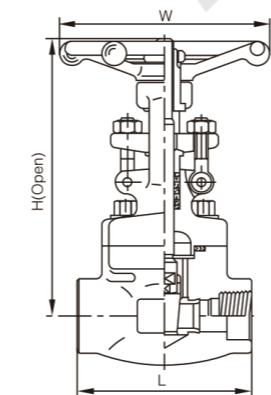
Specification (NPS)	R.P	-	1/2	3/4	1	1¼	1½	2	2½	3
		F.P	1/4	3/8	1/2	3/4	1	1¼	1½	2
Face to face(mm)	L	79	79	92	111	120	120	140	178	-
Handwheel diameter (mm)	W	100	100	100	125	160	160	180	200	-
Height(open)(mm)	H	161	161	163	196	223	251	290	333	-
Flow port dimension (mm)	d	8	10.5	13.5	18	24	29	36.5	45	-
weight(kg)		2.3	2.22	2.39	4.24	5.7	7.05	10.9	16.8	-



CL800

Welded bonnet, full port & reduced port, outside screw and yoke(OS & Y)
Threaded, butt-welded or socket welded ends, design to API 602

Specification (NPS)	R.P	-	1/2	3/4	1	1¼	1½	2	2½	3
		F.P	1/4	3/8	1/2	3/4	1	1¼	1½	2
Face to face(mm)	L	79	79	92	111	120	120	140	178	-
Handwheel diameter (mm)	W	100	100	100	125	160	160	180	200	-
Height(open)(mm)	H	161	161	163	196	223	251	290	333	-
Flow port dimension (mm)	d	8	10.5	13.5	18	24	29	36.5	45	-
weight(kg)		1.9	1.9	2.1	3.2	5.2	6.9	10.4	15.8	-

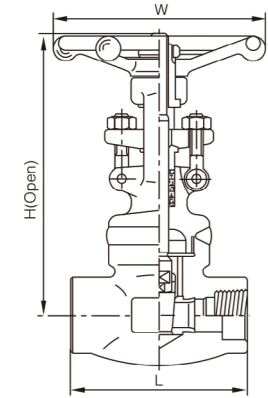


CL900-CL1500

Bolted bonnet, full port & reduced port, outside screw and yoke(OS & Y)
Threaded, butt-welded or socket welded ends, design to API 602

Specification (NPS)	R.P	-	1/2	3/4	1	1¼	1½	2	2½	3
		F.P	1/4	3/8	1/2	3/4	1	1¼	1½	2
Face to face(mm)	L	92	111	111	120	120	140	172	210	-
Handwheel diameter (mm)	W	100	125	125	160	160	180	200	220	-
Height(open)(mm)	H	191	191	192	219	243	296	316	370	-
Flow port dimension (mm)	d	8	10.5	13.5	18	24	29	36.5	45	-
weight(kg)		2.4	4.4	4.3	6	7.2	11.4	16	23	-

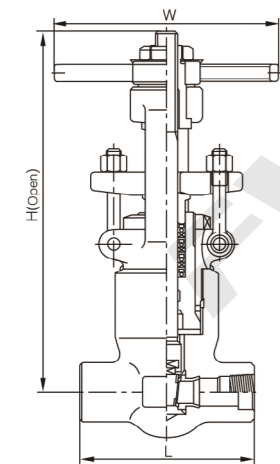
Female threaded and welded gate valve



CL900-CL1500 Welded bonnet, full port & reduced port, outside screw and yoke(OS & Y)
Threaded, butt-welded or socket welded ends, design to API 602

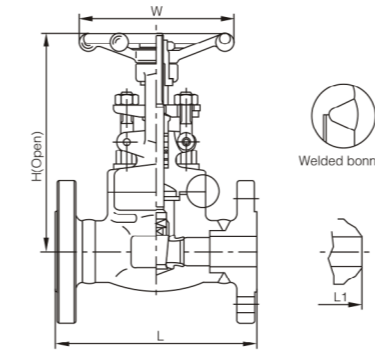
specification (NPS)	R . P	specification (NPS)										
		-	1/2	3/4	1	1¼	1½	2	2½	3		
	F. P	1/4	3/8	1/2	3/4	1	1¼	1½	2	2½	3	
Face to face(mm)	L	92	111	111	120	120	140	172	210	-		
Handwheel diameter (mm)	W	100	100	100	125	160	160	180	200	-		
Height(open)(mm)	H	170	207	207	240	258	330	355	370	-		
Flow port dimension (mm)	d	8	10.5	13.5	18	24	29	36.5	45	-		
weight(kg)		2.3	4	4	4.8	7.1	11	16	22.8	-		

CL1500-CL2500 Pressure seal bonnet, full port, outside screw and yoke (OS & Y)
Socket welded ends, design conform to ASME B16.34



specification (NPS)	F.P	specification (NPS)										
		3/8	1/2	3/4	1	1¼	1½	3				
Face to face(mm)	L	CL900~1500	140	140	140	140	178	178	216			
		CL2500	186	186	186	186	232	232	279			
Handwheel diameter (mm)	W	CL900~1500	200	200	200	200	280	280	300			
		CL2500	200	200	200	200	280	280	300			
Height (open)(mm)	H	CL900~1500	318	318	318	322	467	468	540			
		CL2500	325	325	325	327	467	468	540			
Flow port dimension (mm)	d	CL900~1500	14	14	14	19	25	30	36.5			
		CL2500	14	14	14	19	25	30	36.5			
weight(kg)		CL900~1500	11.5	11.5	10.8	10.5	19.6	21.0	55.4			
		CL2500	12.3	12.3	11.6	10.8	26.0	28.4	60.0			

Flanged gate valve



CL150-300-600 Bolted bonnet, reduced port, outside screw and yoke(OS & Y)
Flange-welded or butt-welded eds, design to API 602,BS5352

Specification(NPS)		1/4	3/8	1/2	3/4	1	1¼	1½	2	2½
Face to face(mm)	CL150	-	-	108	117	127	140	165	178	190
	CL300	-	-	140	152	165	178	190	216	241
	CL600	-	-	165	190	216	229	241	292	330
Handwheel diameter(mm)	W	-	-	100	100	125	160	160	180	200
Height (open)(mm)	CL150	-	-	176	184	217	226	250	290	357
	CL300,CL600	-	-	161	163	196	226	250	290	357
Flow port dimension(mm)	d	-	-	10	13.5	18	24	29	36.5	45
	RF	-	-	3.4	3.98	6.12	7.2	10.4	15.5	24.5
	BW	-	-	2.8	3.3	5.4	7.4	8.2	12.5	20
weight (kg)	CL150	-	-	3.77	7.89	7.23	9.6	12.64	18	26.2
	CL300	-	-	5.3	4.4	6.8	8.1	9.2	15.4	22
	RF	-	-	4.2	5.8	8.8	12.1	15.6	19.5	32
	CL600	-	-	4.5	5.1	8.2	10.2	12.4	20.1	28

Forged integral flange valve is available on request.

CL900-CL1500 Welded bonnet, full port, outside screw and yoke(OS & Y)
Flange-welded or butt-welded ends, design to API 602, BS5352

specification(NPS)		1/4	3/8	1/2	3/4	1	1¼	1½	2
Face to face(mm)	L(RF),L1(BW)	-	-	216	229	254	279	305	368
	L(RTJ)	-	-	216	229	254	279	305	371
Handwheel diameter (mm)	W	-	-	125	125	160	180	200	220
Height(open)(mm)	H	-	-	191	192	219	257	296	316
Flow port dimension (mm)	d	-	-	13.5	18	24	29	34.5	45
weight(kg)		-	-	7.2	11.5	15.6	16.2	22.6	28.2

Forged integral flange valve is available on request.

CL2500 Pressure seal bonnet, full port, outside screw and yoke(OS & Y)
Flange-welded or butt-welded ends, design to ASME B16.34

specification(NPS)		1/4	3/8	1/2	3/4	1	1¼	1½	2
Face to face(mm)	L(RF), L1(BW)	-	-	264	273	308	-	384	451
	L(RTJ)	-	-	264	273	308	-	387	454
Handwheel diameter (mm)	W	-	-	200	200	200	-	280	300
Height(open)(mm)	H	-	-	325	325	327	-	478	540
Flow port dimension (mm)	d	-	-	13.5	13.5	19	-	30	36.5
weight(kg)		-	-	4.6	6.8	7.6	-	15	21.9

Forged integral flange valve is available on request.

